



460 Southport Commerce Blvd.  
 Spartanburg SC 29306  
 Phone: 864-574-6004  
 Fax: 864-574-6005  
 www.ojedausa.com  
 sales@ojedausa.com

Project: \_\_\_\_\_  
 Model #: \_\_\_\_\_  
 Item #: \_\_\_\_\_ Qty: \_\_\_\_\_  
 Approval: \_\_\_\_\_

# GLASS DOOR FREEZER

# FMH-12



### R-290 REFRIGERANT

Equipped with R-290 refrigerant, an eco-friendly alternative that meets the EPA's environmental impact regulations.

### CARE FREE CONDENSER

The finless spiral condenser design prevents dust/dirt buildup allowing maximum long term efficiency.

### ELECTRONIC CONTROL

The intelligent temperature control is programmed to ensure the correct operation of the equipment and maintain products at an optimum temperature.

### LED LIGHTING

LED lighting lasts longer than fluorescent lighting, it reducing energy consumption, which generates minimal heat. All of this makes LED lighting great for the environment.

### HOT GAS EVAPORATION

Hot gas heated drain pan for condensate evaporation that eliminates the need of floor drains or electric heaters.

### OPERATION TEMPERATURE

-10°F-0°F

### CUSTOM GRAPHICS

Standard color: black.

Dimensions			Crated Dimensions			Shelves	HP	Voltage	NEMA config	Amps	Crated Weight		
	W	D	H		W	D	H	3	1/6	120	5-15P	4	196 lbs
(in)	24.8	24.6	61	(in)	26.4	27.9	65.4	Net Capacity (cf): 7.8			Energy Consumption: 3.8 KWH/24 hrs		
(mm)	629	625	1549	(mm)	670	709	1661						

\*Inches rounded up one decimal place \*Specifics may change without notification



## CABINET CONSTRUCTION

- High-density, CFC-Free, polyurethane insulation
- Large low-E double pane tempered thermal glass side panels
- Exterior: galvanized metal cabinet with powder coated painted surface
- Interior: easy to clean pre-painted steel
- Self closing door
- Recessed pocket handle

## SHELVING

- Adjustable shelves

## OPERATING CONDITIONS

- The unit is best suited for an environment where temperatures remain below 85°F and humidity does not exceed 55%.
- Areas with direct sunlight should also be avoided.

## REFRIGERATION

- Maintenance free condenser
- Automatic defrost cycle
- Hot gas heated pan for condensate evaporation
- R-290 refrigerant

## OPTIONS

- 6" stainless steel legs
- Heavy duty casters
- Custom graphics

## WARRANTY

- 3 year parts and labor warranty
- 5 year compressor

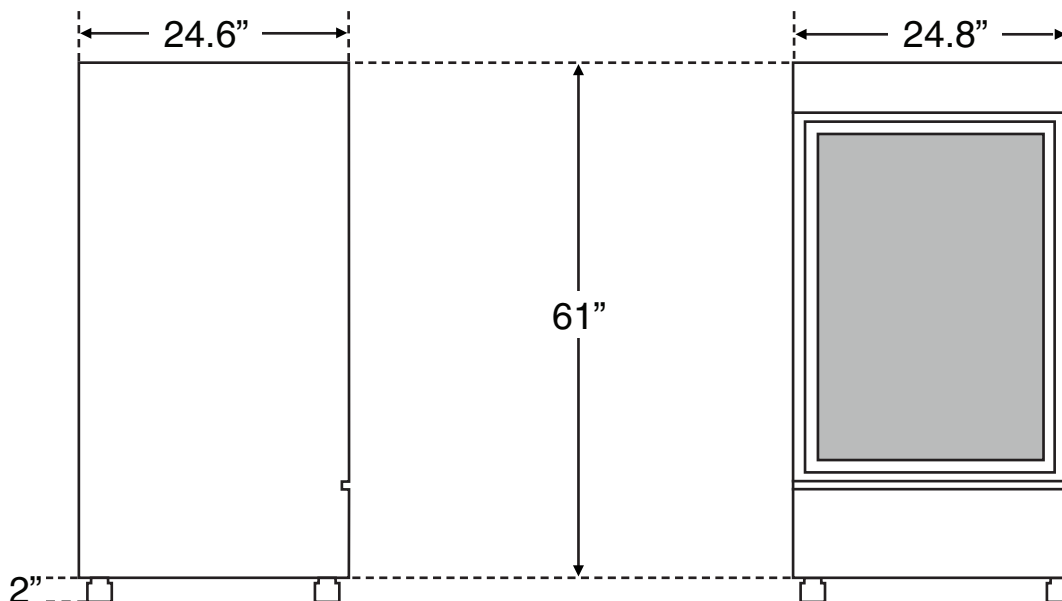
## LIGHTING

- Vertical LED lighting

## 6 INCH ADJUSTABLE LEGS



## HEAVY DUTY CASTERS



\*Specifics may change without notification

