

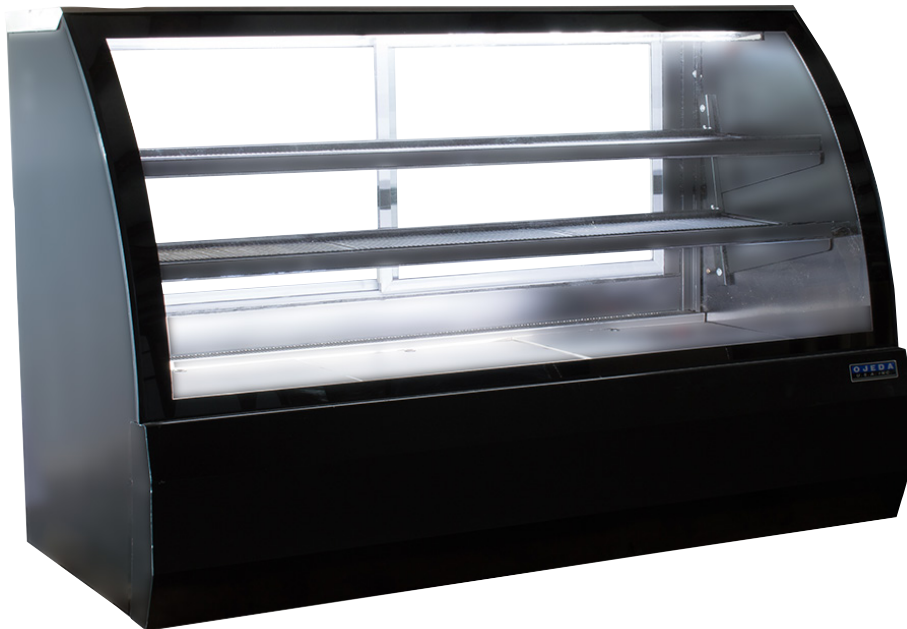


460 Southport Commerce Blvd.  
 Spartanburg SC 29306  
 Phone: 864-574-6004  
 Fax: 864-574-6005  
 www.ojedausa.com  
 sales@ojedausa.com

Project: \_\_\_\_\_  
 Model #: \_\_\_\_\_  
 Item #: \_\_\_\_\_ Qty: \_\_\_\_\_  
 Approval: \_\_\_\_\_

# REFRIGERATED DELI CASE

# RDCH-6



### ELECTRONIC CONTROL

The intelligent temperature control is programmed to ensure the correct operation of the equipment and maintain products at an optimum temperature.

### R-290 REFRIGERANT

Equipped with R-290 refrigerant, an eco-friendly alternative that meets the EPA's environmental impact regulations.

### LED LIGHTING

LED lighting lasts longer than fluorescent lighting, it reducing energy consumption, which generates minimal heat. All of this makes LED lighting great for the environment.

### HOT GAS EVAPORATION

Hot gas heated drain pan for condensate evaporation that eliminates the need of floor drains or electric heaters.

### OPERATING TEMPERATURE

33°F to 38°F

### CUSTOM GRAPHICS

Standard color: black

Dimensions			Crated Dimensions			Shelves	HP	Voltage	NEMA config	Amps	Crated Weight		
	W	D	H		W	D	H	2	1/4+	120	5-15P	5	654 lbs
(in)	73.8	33.6	50	(in)	80.8	40	58.3	Net Capacity (cf): 21			Energy Consumption: 8.33 kw-hr/24 hrs		
(mm)	1874	854	1269	(mm)	2050	1015	1480						

\*Inches rounded up one decimal place \*Specifics may change without notification



## CABINET CONSTRUCTION

- High-density, CFC-Free, polyurethane insulation
- Curved glass
- Exterior: galvanized metal cabinet with powder coated painted surface
- Interior: easy to clean pre-painted steel
- Stainless steel bottom
- Sliding glass doors

## SHELVING

- Adjustable shelves
- 67.8" width x 15" depth (1723 mm x 380 mm)
- Weight capacity per shelf 198.4 lbs

## OPERATING CONDITIONS

- The unit is best suited for an environment where temperatures remain below 75°F and humidity does not exceed 55%.
- Areas with direct sunlight should also be avoided.

## REFRIGERATION

- Maintenance free condenser
- Reverse cycle defrost system
- Hot gas heated pan for condensate evaporation
- R-290 refrigerant

## OPTIONS

- Interior mirrored ends
- Cutting board top

## WARRANTY

- 3 year parts and labor warranty
- 5 year compressor

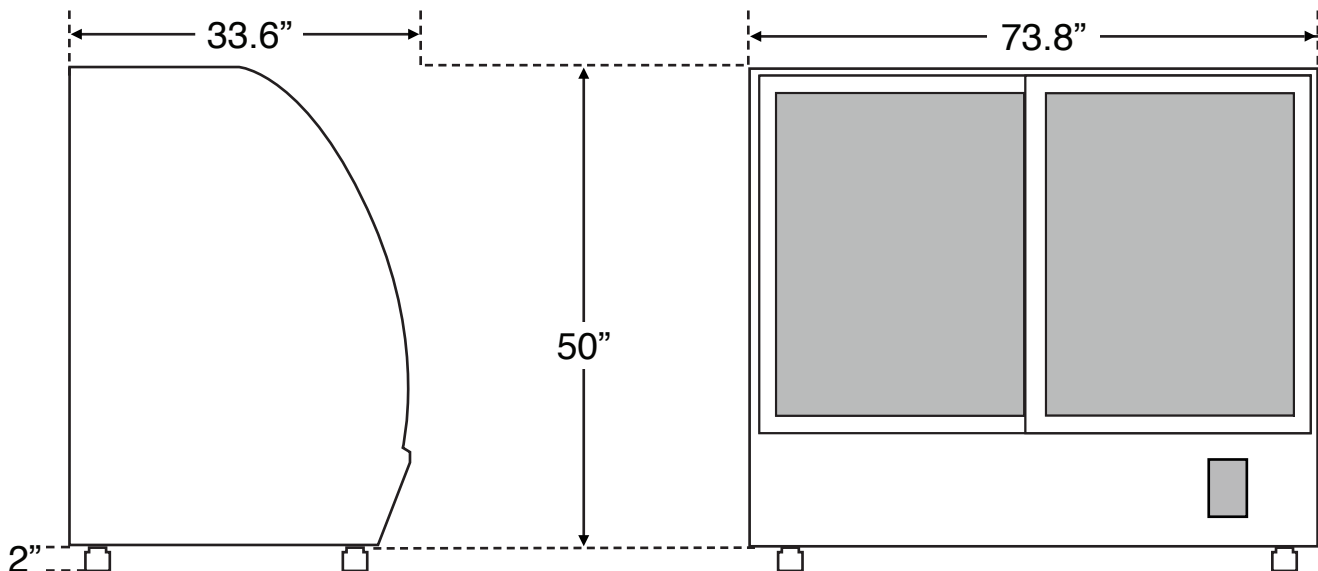
## LIGHTING

- Horizontal LED lighting
- On/off light switch

### 4 AMP ACCESSORY RECEPTACLE



### LED LIGHTING



\*Specifics may change without notification