



460 Southport Commerce Blvd.  
 Spartanburg SC 29306  
 Phone: 864-574-6004  
 Fax: 864-574-6005  
 www.ojedausa.com  
 sales@ojedausa.com

Project: \_\_\_\_\_  
 Model #: \_\_\_\_\_  
 Item #: \_\_\_\_\_ Qty: \_\_\_\_\_  
 Approval: \_\_\_\_\_

# GLASS DOOR MERCHANDISERS

# RMH-10SL



### STEEL CONSTRUCTION

Robust steel construction minimizes the use of plastic materials resulting in an environmentally friendly design.

### CARE FREE CONDENSER

The finless spiral condenser design prevents dust/dirt buildup allowing maximum long term efficiency.

### ELECTRONIC CONTROL

The intelligent temperature control is programmed to ensure the correct operation of the equipment and maintain products at an optimum temperature.

### LED LIGHTING

LED lighting lasts longer than fluorescent lighting, it reducing energy consumption, which generates minimal heat. All of this makes LED lighting great for the environment.

### HOT GAS EVAPORATION

Hot gas heated drain pan for condensate evaporation that eliminates the need of floor drains or electric heaters.

### OPERATION TEMPERATURE

33°F to 38°F

### CUSTOM GRAPHICS

Standard color: black.

Dimensions			Crated Dimensions				Shelves	HP	Voltage	NEMA config	Amps	Crated Weight	
	W	D	H		W	D	H	3	1/4	120	5-15P	3.5	246 lbs
(in)	24.3	19.6	60.3	(in)	25.6	23.5	62.5	Net Capacity (cf): 7			Energy Consumption: 1.36 kw-hr/24 hrs		
(mm)	615	497	1530	(mm)	650	597	1587						

\*Inches rounded up one decimal place \*Specifics may change without notification



## CABINET CONSTRUCTION

- High-density, CFC-Free, polyurethane insulation
- Large low-E double pane tempered thermal glass side panels
- Exterior: galvanized metal cabinet with powder coated painted surface
- Interior: easy to clean pre-painted steel
- Self closing door
- Recessed pocket handle

## SHELVING

- Adjustable shelves

## OPERATING CONDITIONS

- The unit is best suited for an environment where temperatures remain below 85°F and humidity does not exceed 55%.
- Areas with direct sunlight should also be avoided.

## REFRIGERATION

- Maintenance free condenser
- Automatic defrost cycle
- Hot gas heated pan for condensate evaporation

## OPTIONS

- 6" stainless steel legs
- Heavy duty casters 3" and 5"
- Custom graphics

## WARRANTY

- 3 year parts and labor warranty
- 5 year compressor

## LIGHTING

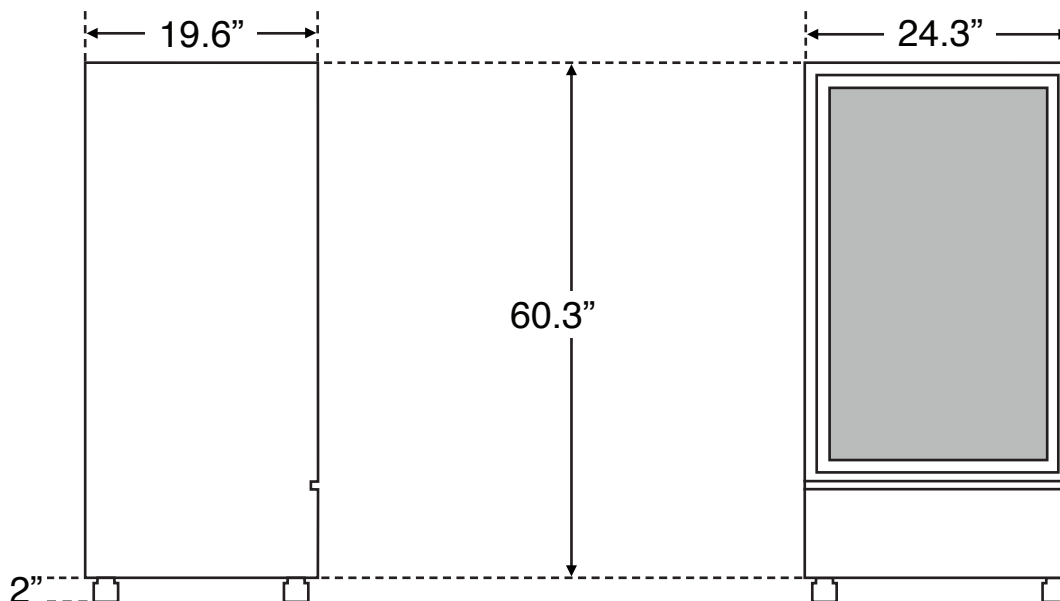
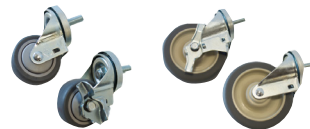
- Vertical LED lighting

### 6 INCH ADJUSTABLE LEGS



### HEAVY DUTY CASTERS

(3" and 5")



\*Specifics may change without notification

