



460 Southport Commerce Blvd.
 Spartanburg SC 29306
 Phone: 864-574-6004
 Fax: 864-574-6005
 www.ojedausa.com
 sales@ojedausa.com

Project: _____
 Model #: _____
 Item #: _____ Qty: _____
 Approval: _____

BEER MERCHANDISER

RMH-27-22



STEEL CONSTRUCTION

Robust steel construction minimizes the use of plastic materials resulting in an environmentally friendly design.

CARE FREE CONDENSER

The finless spiral condenser design prevents dust/dirt buildup allowing maximum long term efficiency.

BIG BLUE DISPLAY

Easy to read 3" digits display product temperature.

LED LIGHTING

LED lighting provides long lasting energy efficient lighting with minimal heat output.

HOT GAS EVAPORATION

Hot gas heated drain pan for condensate evaporation that eliminates the need of floor drains or electric heaters.

3 TEMPERATURE CONTROL

Easily selectable 22/28/34 °F product temperatures.

CUSTOM GRAPHICS

Standard color: Black.

Dimensions			Crated Dimensions			Shelves	HP	Voltage	NEMA config	Amps	Crated Weight		
	W	D	H		W	D	H	5	1/4 ⁺	120	5-15P	5	325 lbs
(in)	30.1	31.9	79.1	(in)	31.7	33.1	83.4	Net Capacity (cf): 20.7			Energy Consumption: 3.07 kw-hr/day		
(mm)	763	810	2010	(mm)	803	840	2117						

*Inches rounded up one decimal place *Specifics may change without notification



CABINET CONSTRUCTION

- High-density, CFC-Free, polyurethane insulation.
- Exterior: Galvanized metal cabinet with powder coated painted surface
- Interior: Easy to clean pre-painted steel.

SHELVING

- 5 Adjustable wire shelves

LIGHTING

- LED horizontal and vertical lighting

OPERATING CONDITIONS

- The unit is rated for an environment where temperatures remain below 75°F and humidity does not exceed 55%
- Areas with direct sunlight should also be avoided

WARRANTY

- 2 year parts and labor warranty
- 5 year compressor

REFRIGERATION

- Maintenance free condenser
- Automatic defrost cycle
- Hot gas heated pan for condensate evaporation
- Easy to reach components for maintenance
- R-290 refrigerant
- Glycol bottle measures product temperature.

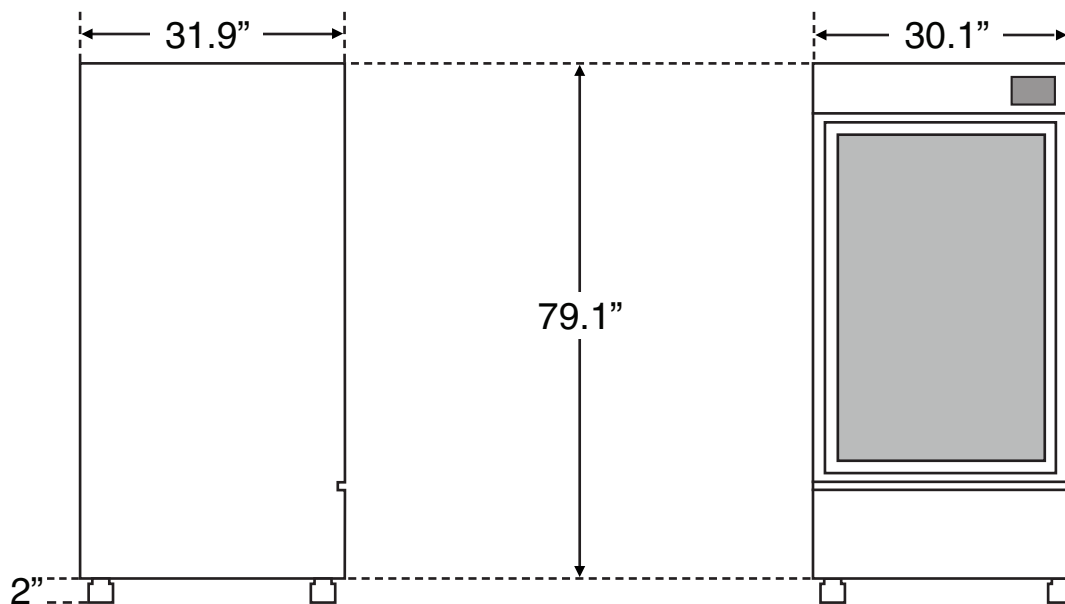
GLYCOL BOTTLE



TEMPERATURE DISPLAY



DOOR LOCK



*Specifics may change without notification

