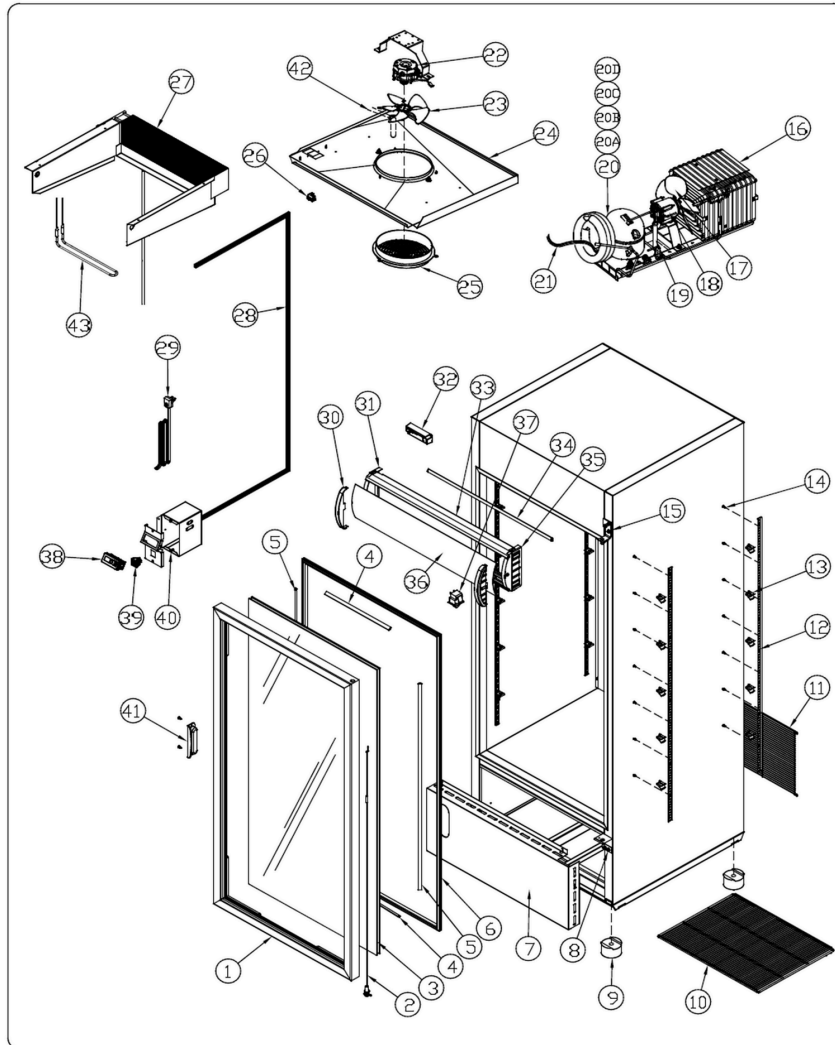




REFRIGERATED MERCHANDISING SOLUTIONS

SPARE PARTS LIST FOR FMH-12



ITEM #	PART NUMBER	DESCRIPTION	UM
1	181873202	RIGHT DOOR ASSEMBLY	ASSY
2	181741000	TORSION BAR ASSEMBLY	ASSY
3	300063018	GLASS PACKAGE	PC
4	300396036	LED LAMP 346 mm	PC
5	300396035	LED LAMP 669 mm	PC
6	300484064	MAGNETIC SEAL	PC
7	102211087	FRONT GRILLE	PC
8	101224023	LOWER HINGE RIGHT	PC
9	181460000	LEVELING HEEL ASSEMBLY	ASSY
10	100185159	UPPER GRILLE	PC
11	300196020	REAR GRILLE	PC
12	100390008	ALUMINUM RACK	PC
13	100389004	BRACKET FOR RACK	PC
14	100437231	SCREW FOR RACK	PC
15	181083003	UPPER HINGE	ASSY
16	300128001F	6T CONDENSER	ASSY
17	100436024	CONDENSING UNIT BLADE	PC
18	100669058	CONDENSING UNIT MOTOR	PC
19	100840005	DEHYDRATOR	PC
20	100397142	TECUMSEH TC1410U-DS7C COMPRESSOR	PC
20A	100523024	THERMAL PROTECTOR	PC
20B	100524019	STARTING RELAY	PC
20C	100517097	STARTING CAPACITOR	PC
20D	100525034	WORKING CAPACITOR	PC
21	180092093	UNIT HARNESS	PC
22	100669051	MOTOR FOR EVAPORATOR	PC
23	100436019	EVAPORATOR BLADE	PC
24	100194076	EVAPORATOR HOPPER	PC
25	100195000	BLADE PROTECTOR	PC
26	100412001	ROCKER SWITCH	PC
27	181420008	12T 3H 1C Ø1/4" EVAPORATOR ASSEMBLY WITH HEADS	ASSY
28	181500134	MAIN ELECTRICAL HARNESS	PC
29	100388005	POWER OUTLET EXTENSION	PC
30	300219000	FRONT COVER OF COVER	PC
31	300217000	LEFT COVER OF COVER	PC
32	183602001	DRIVER ASSEMBLY	ASSY
33	181618037	COVER MODULE ASSEMBLY	ASSY
34	300396036	346 mm LED LAMP	PC
35	300218000	RIGHT COVER OF COVER	PC
36	300304000	FRONT DISPLAY	PC
37	100411000	SWITCH SWITCH	PC
38	300362006	ELECTRONIC TEMPERATURE CONTROL	PC
39	100595003	LIGHT SWITCH	PC
40	181515013	ELECTRIC COMPONENTS BOX ASSEMBLY	ASSY
41	100402015	BLACK EMBEDDED HANDLE	PC
42	300268004	ELECTRIC DRAIN RESISTANCE	PC
43	300268003	DEFROST RESISTANCE	PC