

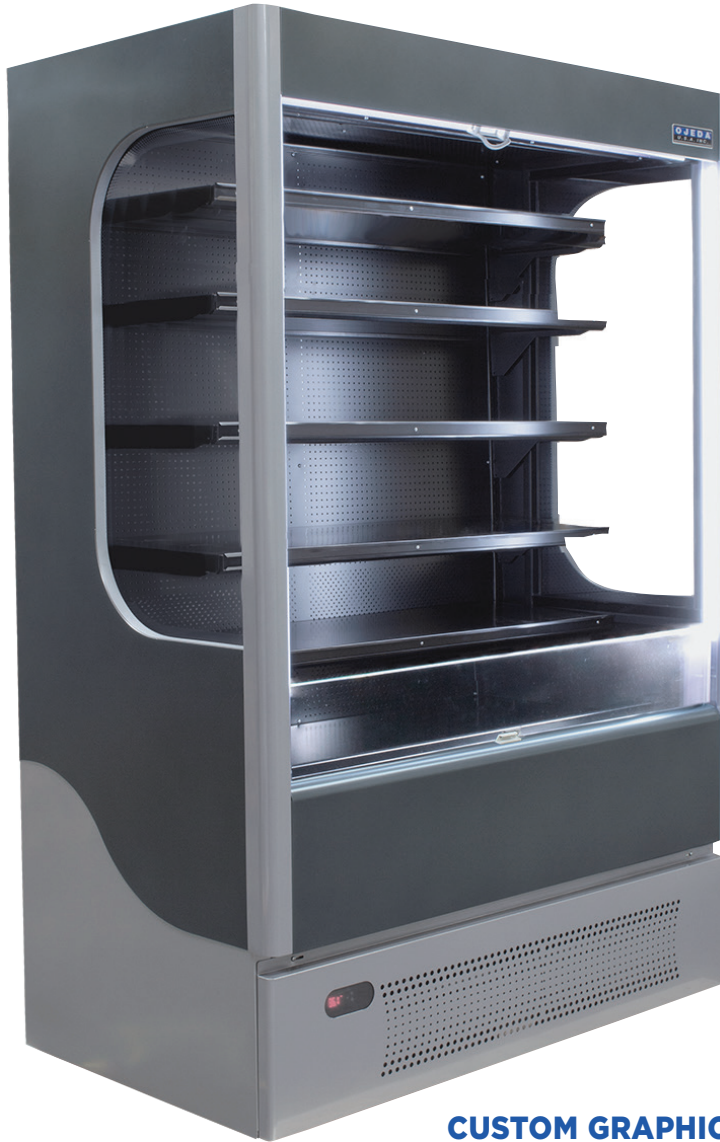


REFRIGERATED MERCHANDISING SOLUTIONS

460 Southport Commerce Blvd.
 Spartanburg SC 29306
 Phone: 864-574-6004
 Fax: 864-574-6005
 www.ojedausa.com
 sales@ojedausainc.com

Project: _____
 Model #: _____
 Item #: _____ Qty: _____
 Approval: _____

OPEN AIR MERCHANDISER **ALPA-120H**



**CUSTOM GRAPHICS
 AVAILABLE UPON REQUEST**

CARE FREE CONDENSER

The finless spiral condenser design prevents dust/dirt buildup allowing maximum long term efficiency.

STEEL CONSTRUCTION

Robust steel construction minimizes the use of plastic materials resulting in an environmentally friendly design.

120 VOLT SYSTEM

All Alfa models feature a 110/120 Volt system standard, ensuring hassle-free plug and play for our customers.

ELECTRONIC CONTROL

The intelligent temperature control is programmed to ensure the correct operation of the equipment.

LED LIGHTING

LED provides long lasting energy efficient lighting with minimal heat output.

HOT GAS EVAPORATION

Hot gas heated drain pan for condensate evaporation that reduces the need of floor drains or electric heaters.

OPERATION TEMPERATURE

Medium Temp: 34°F to 40°F

	DIMENSIONS			SHELVES	HP	VOLTAGE	NEMA CONFIG	AMPS	CRATED WEIGHT
	W	D	H						
in	52.1"	30.5"	79.9"	5	2x 1/3	120	5-20P	12	652 LBS
mm	1324	778	2029	NET CAPACITY (CF): 32		ENERGY CONSUMPTION: 17.59 KW-HR/24 HRS			

*INCHES ROUNDED UP ONE DECIMAL PLACE *SPECIFICS MAY CHANGE WITHOUT NOTIFICATION



FAMILY OWNED SINCE 1948
 PROUDLY MANUFACTURED IN NORTH AMERICA

OPEN AIR MERCHANDISER

ALPA-120H

CABINET CONSTRUCTION

- High-density, CFC-Free, polyurethane insulation.
- Large low-E double pane tempered thermal glass panels.
- Manual retractable night curtain for increased energy savings.
- Exterior: Galvanized metal cabinet with powder coated painted surface.
- Interior: Easy to clean pre-painted steel.

SHELVING

- 5 adjustable dual-position shelves with tag molding.
- Dimensions per shelf: 47.7"W x 16.3"D

OPERATING CONDITIONS

- The unit is best suited for an environment where temperatures remain below 75°F and humidity does not exceed 55%.
- Open Air models should not be installed in any area where the air curtain will be disrupted. This includes placement near any HVAC vent, open doorway, fan or areas with direct sunlight.

ELECTRICAL

- 110/120 standard system.



5-20P PLUG

LIGHTING

- LED internal lighting..

REFRIGERATION

- R-290 refrigerant.
- Maintenance free condenser.
- Dual refrigeration system.
- Hot gas heated condensation pan.
- Electronic temperature control.
- Automatic defrost cycle.
- Easy to reach components for easy maintenance.

ACCESSORIES

- 3" or 5" casters.
- 6" stainless steel legs.
- Clearcool curtain.
- Custom graphics.
- Front product merchandiser.
- Glass doors.
- Lockable security cage.
- Peg bar system for hanging product.
- Shelf product retainers.
- Side product merchandiser.

OPTIONAL ACCESSORIES

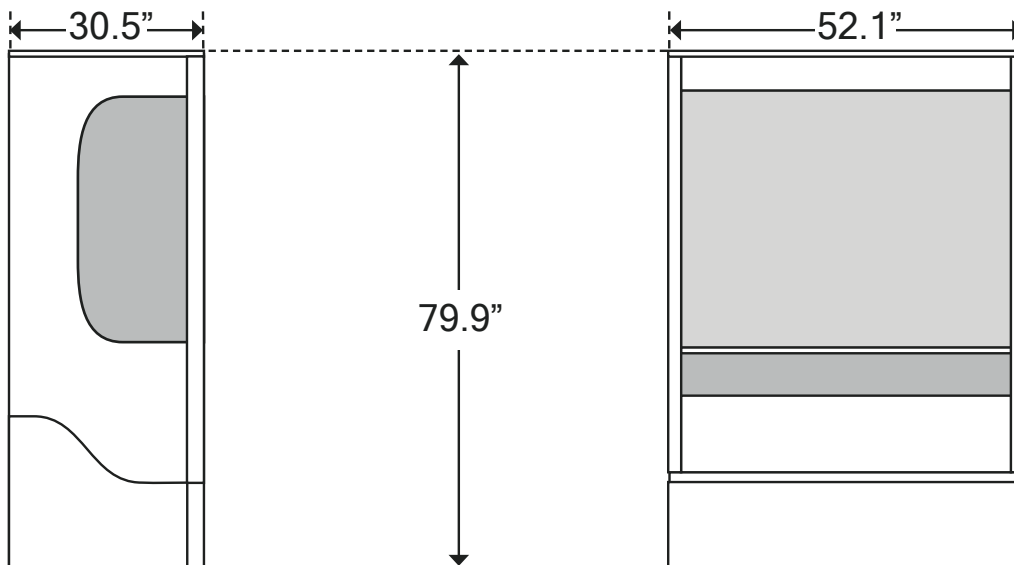
3"/5" CASTERS



GLASS DOORS



DIMENSIONAL DRAWING



*INCHES ROUNDED UP ONE DECIMAL PLACE *SPECIFICS MAY CHANGE WITHOUT NOTIFICATION



FAMILY OWNED SINCE 1948
PROUDLY MANUFACTURED IN NORTH AMERICA