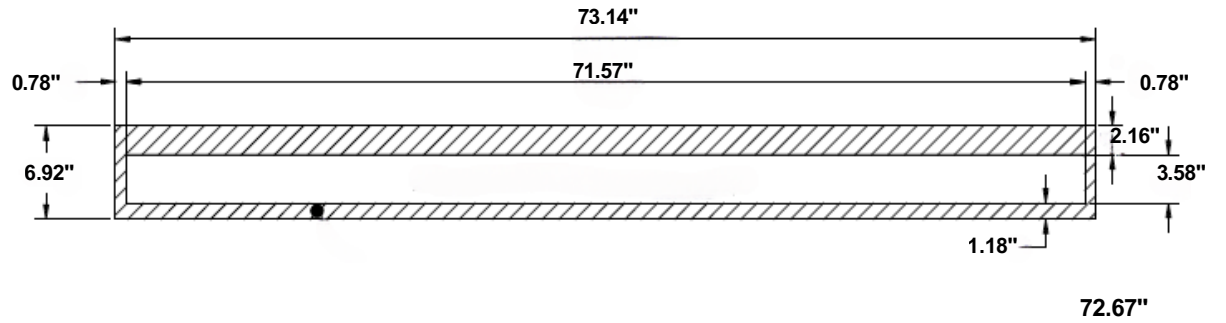


# DIELINES GRAPHICS FOR ALPA-180

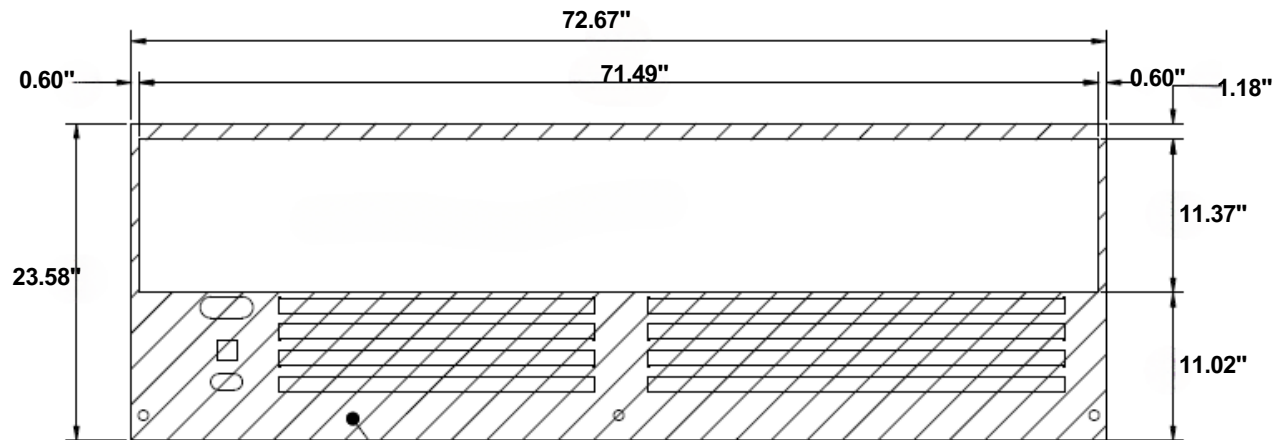
## HEADER

Graphic "Brand", 73.14" X 6.92"



## BUMPER

Graphic "Brand", 72.67" X 23.58"





REFRIGERATED MERCHANDISING SOLUTIONS

# DIELINES GRAPHICS FOR ALPA-180

## SIDES

Graphic "Brand", right and left side, 84.25" X 34.72"

