

Project: \_\_\_\_\_  
 Model #: \_\_\_\_\_  
 Item #: \_\_\_\_\_ Qty: \_\_\_\_\_  
 Approval: \_\_\_\_\_

460 Southport Commerce Blvd.  
 Spartanburg SC 29306  
 Phone: 864-574-6004  
 Toll Free: 1-888-532-2816  
 sales@ojedausainc.com  
 service@ojedausainc.com  
 www.ojedausa.com



# OPEN AIR MERCHANDISER ALPA-36H SS



Custom Graphics  
 Available Upon Request

### CARE FREE CONDENSER

The finless spiral condenser design prevents dust/dirt buildup allowing maximum long term efficiency.

### R-290 REFRIGERANT

Equipped with R-290 refrigerant, an eco-friendly alternative that meets the EPA's environmental impact regulations.

### STEEL CONSTRUCTION

Robust steel construction minimizes the use of plastic materials resulting in an environmentally friendly design.

### 120 VOLT SYSTEM

All Alpa models feature a 110/120 Volt system standard, ensuring hassle-free plug and play for our customers.

### ELECTRONIC CONTROL

The intelligent temperature control is programmed to ensure the correct operation of the equipment.

### LED LIGHTED SHELVES

LED provides long lasting energy efficient lighting with minimal heat output.

### HOT GAS EVAPORATION

Hot gas heated drain pan for condensate evaporation that reduces the need of floor drains or electric heaters.

### NIGHT CURTAIN

30% less energy consumption when closed.

### OPERATION TEMPERATURE

Medium Temp: 34°F to 40°F.

Dimensions			Shelves	HP	Voltage	NEMA Config	Amps	Crated Weight	Refrigerant
W	D	H							
26.3"	28.7"	54.7"	2	1/2	120	5-15P	5.4	330 lbs	R-290
668 mm	729 mm	1390 mm	Net Capacity (cf): 7.8		Energy Consumption: 11.16 kWh/24 h				

\*Inches rounded up one decimal place. \*Specifics may change without notification.

## CABINET CONSTRUCTION

- High-density, CFC-Free, polyurethane insulation.
- Large low-E double pane tempered thermal glass panels.
- Manual retractable night curtain for increased energy savings.
- Exterior: Galvanized metal cabinet with powder coated painted surface.
- Interior: Stainless steel.
- Equiped with durable casters.

## SHELVING

- 2 adjustable dual-position shelves with tag molding.
- Dimensions per shelf:
  - Top Shelf 22.5" W x 13.1" D.
  - Bottom shelf 22.5" W x 15.1" D.

## OPERATING CONDITIONS

- The unit is best suited for an environment where temperatures remain below 75°F and humidity does not exceed 55%.
- Open Air models should not be installed in any area where the air curtain will be disrupted. This includes placement near any HVAC vent, open doorway, fan or areas with direct sunlight.

## ELECTRICAL

- 110/120 standard volt system.



## LIGHTING

- LED lighted shelves.

## REFRIGERATION

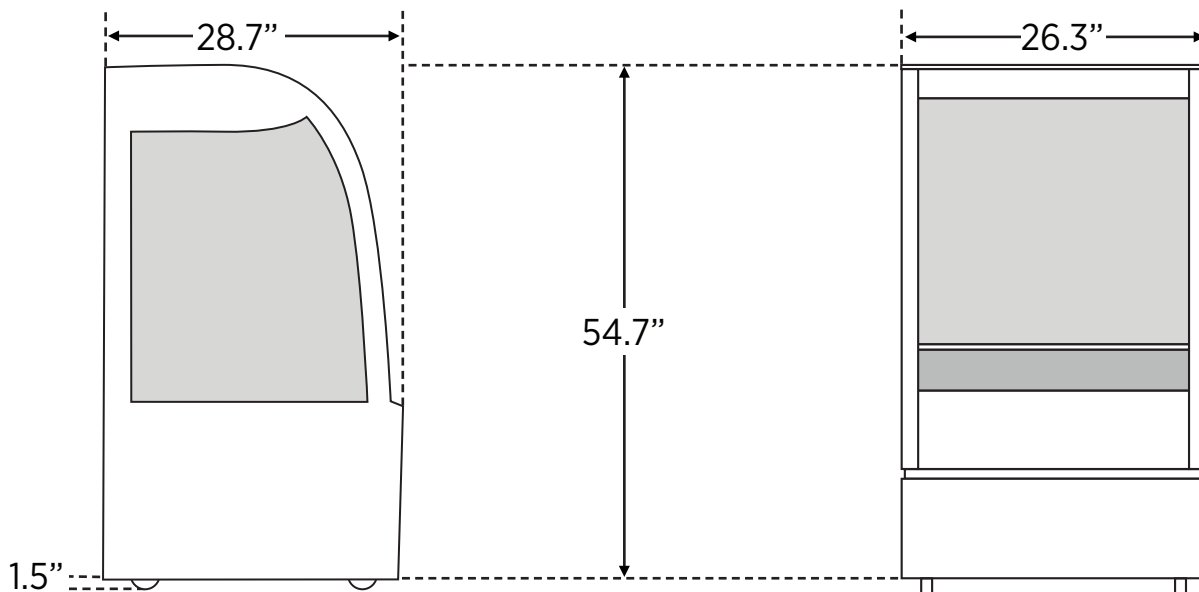
- R-290 refrigerant.
- Maintenance free condenser.
- Hot gas heated condensation pan.
- Electronic temperature control.
- Automatic defrost cycle.
- Easy to reach components for maintenance.

## ACCESSORIES

- 6" stainless steel legs.
- Custom graphics.



## DIMENSIONAL DRAWING



\*Inches rounded up one decimal place. \*Specifics may change without notification.

